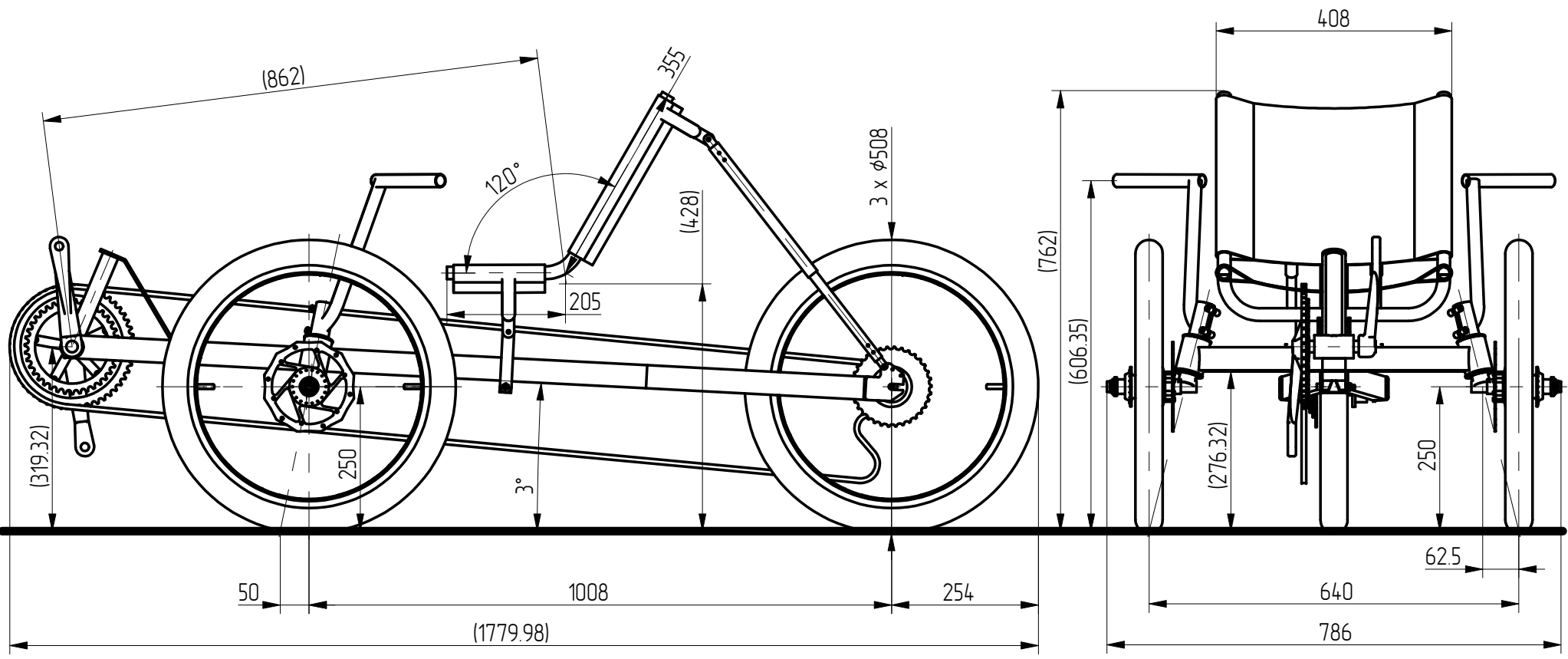


RevNo	Revision note	Date	Signature	Checked
-------	---------------	------	-----------	---------



Itemref	Quantity	Title/Name, designation, material, dimension etc			Article No./Reference	
Designed by Aleksander Micsiz	Checked by ami	Approved by - date ami - 21 nov 2011	File name	Date 11-11-20	Scale 1:10	
Trike II			<a href="http://amiDesign.ch">http://amiDesign.ch</a>			
			Edition 1	Sheet 1		

Printed in Student Version of T-FLEX CAD

Printed in Student Version of T-FLEX CAD